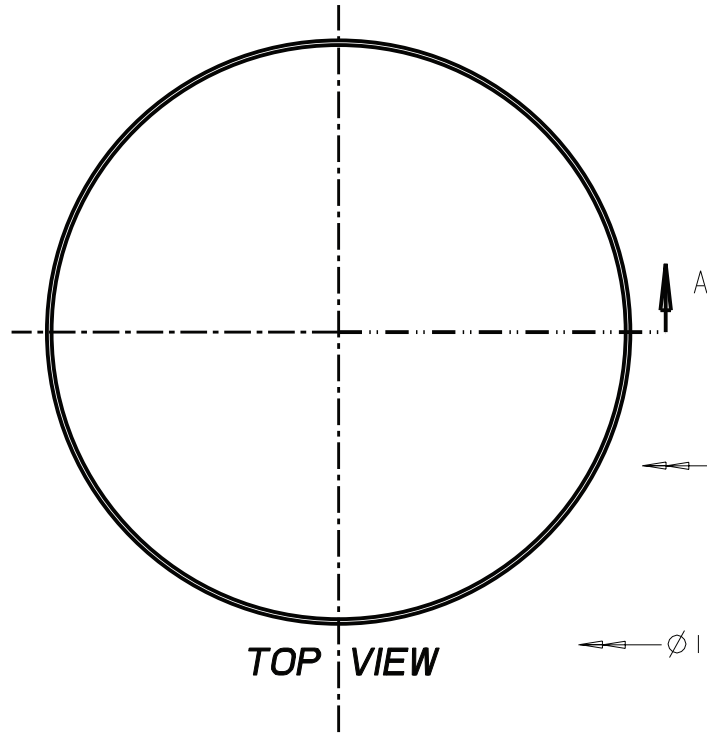




105179

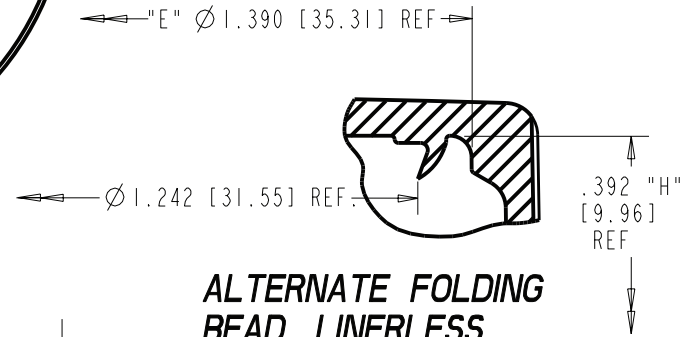
38-400 Black PP Continuous Thread Closure with F217 Foam Liner  
K.G. International - sales@kgint.com - +1 305 499-9816



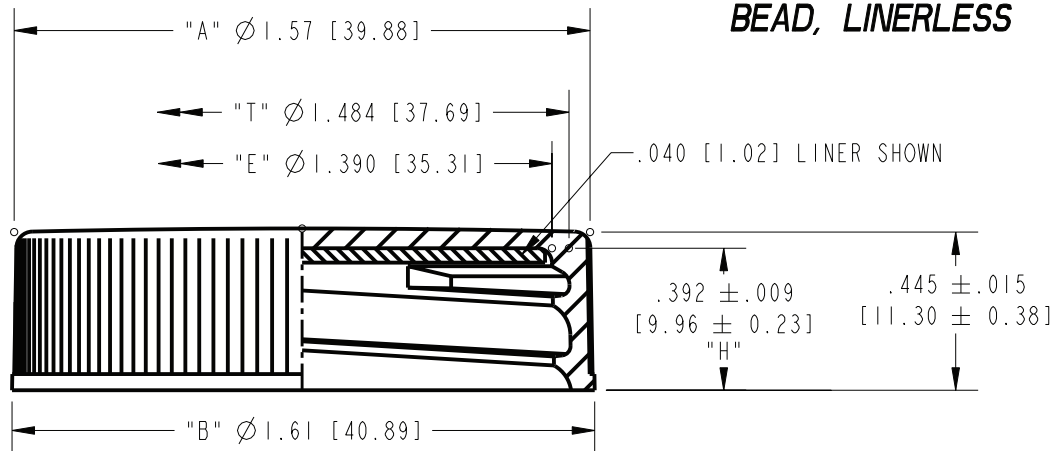
TOP VIEW

**NOTES:**

1. 1.25 TURNS OF 6-PITCH THREAD
2. DIAMETERS TO BE INTERPRETED AS AVERAGE
3. 120 KNURLS: .008 [0.20] DEEP
4. TOLERANCES UOS: 3 PLACE DECIMALS  $\pm .007$  [0.18]  
2 PLACE DECIMALS  $\pm .015$  [0.38]
5. AVAILABLE LINED OR LINERLESS
6. FOR THE LINERLESS CRAB CLAW OPTION, THE  
MAXIMUM BOTTLE ID IS  $\varnothing 1.230$  [31.24]
7. METRIC DIMENSIONS SHOWN IN BRACKETS IN [mm]



ALTERNATE FOLDING  
BEAD, LINERLESS



SECTION A